

# PUNTO HI-POE

## TECHNOPOLYMER HOUSING FOR IP CAMERAS

### MAIN FEATURES

PoE/Hi-PoE to power heater & network camera  
 Category 5e shielded power cable  
 Compatible with IEEE 802.3af, IEEE 802.3at/PoE Plus  
 Special cable gland for a fast Ethernet connection/disconnection without cutting the RJ45 connector  
 Indoor / Outdoor  
 Side opening, easy camera servicing  
 IP66/IP67  
 Sunshield included  
 Pre-arranged for internal cable management bracket

### DESCRIPTION

The PUNTO Hi-PoE housing exploits the PoE and Hi-PoE technology in an optimal way, using the power provided by the Ethernet cable as the sole source of electricity to power the network camera along with heating/demisting. PUNTO Hi-PoE provides high reliability and flexibility of the network installation and simplifies installation operations with important cost reduction. PUNTO Hi-PoE can be configured via a dip switch according to the PoE or Hi-PoE standards depending to the system requirements. Very easy to install thanks to the side opening system that allows the full access to the camera, lenses and all internal connections. The front is designed to offer protection from UV rays and atmospheric agents.



PUNTO HI-POE



PUNTO HI-POE



PUNTO HI-POE + WBOVA2

**TECHNICAL DATA**

**GENERAL**

Entirely made of technopolymer, RAL9002 colour  
 Stainless steel external screws

**MECHANICAL**

Cable glands: 1xM20  
 Glass window (WxH): 60/95x63mm (2.4/3.7x2.5in)  
 Internal usable area (WxH): 70x70mm (2.7x2.7in)  
 Internal usable length: 250mm (9.8in)  
 Unit weight: 0.8kg (1.7lb)

**ELECTRICAL**

Power absorbed in input/Available power for camera (selectable with dip-switch)

- PoE input Class 3 (13W): PoE camera Class 2 (7W)
- Hi-PoE input Class 4 (25W): PoE camera Class 3 (13W)

Data line: 10/100Base-T

Heater

- PoE input Class 3: 3W, Ton 15°C±3°C (59°F±5°F), Toff 22°C±3°C (77°F±5°F)
- Hi-PoE input Class 4: 7W, Ton 15°C±3°C (59°F±5°F), Toff 22°C±3°C (77°F±5°F)

Demisting: 1W

Compatible with IEEE 802.3af, IEEE 802.3at/PoE Plus

**ENVIRONMENT**

Indoor/Outdoor

Operating temperature with heating: From -20°C (-4°F) to +60°C (140°F)

Chemical agents resistance

- High resistance: basics, alcohols, gas, hydrocarbon
- Good resistance: Organic acids, inorganic acids, oils
- Low resistance: Solvents

**CERTIFICATIONS**

CE: EN61000-6-3, EN60950-1, EN50130-4

EN60529 IP66/IP67

**ACCESSORIES**

OHEPOWINJ Hi-PoE Power Injector, 1 channel

**BRACKETS AND ADAPTORS**

WBJA Ceiling bracket with ball joint

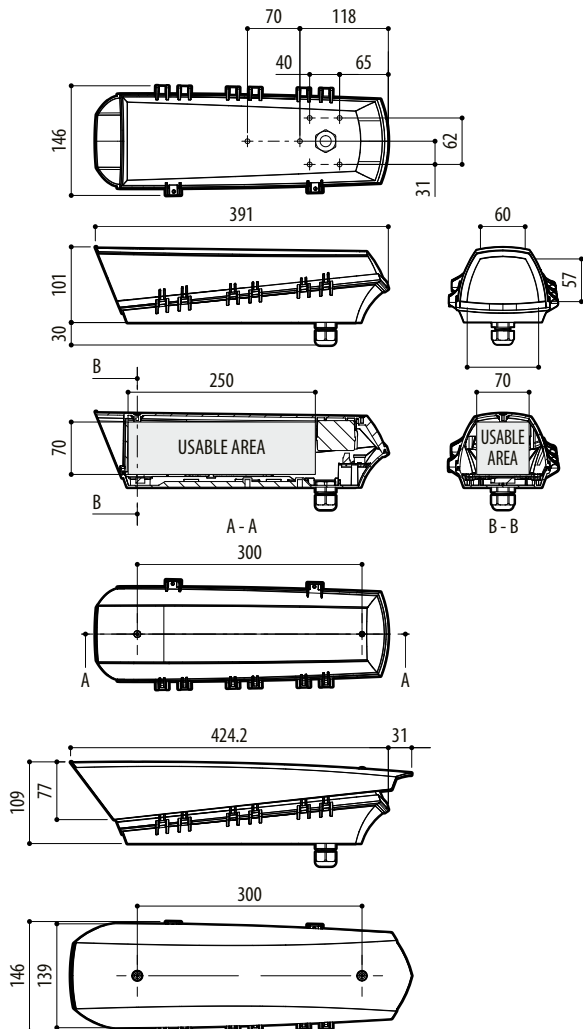
WBOVA2 Wall bracket with internal cable channel

**PACKAGE**

Model Number	Weight	Dimensions (WxHxL)	Master carton
HOT39K2A700	1kg (2.2lb)	41.5x11.5x16.5cm (16x4.5x6.5in)	12

**TECHNICAL DRAWINGS**

Sizes in millimeters.



PUNTO HI-POE